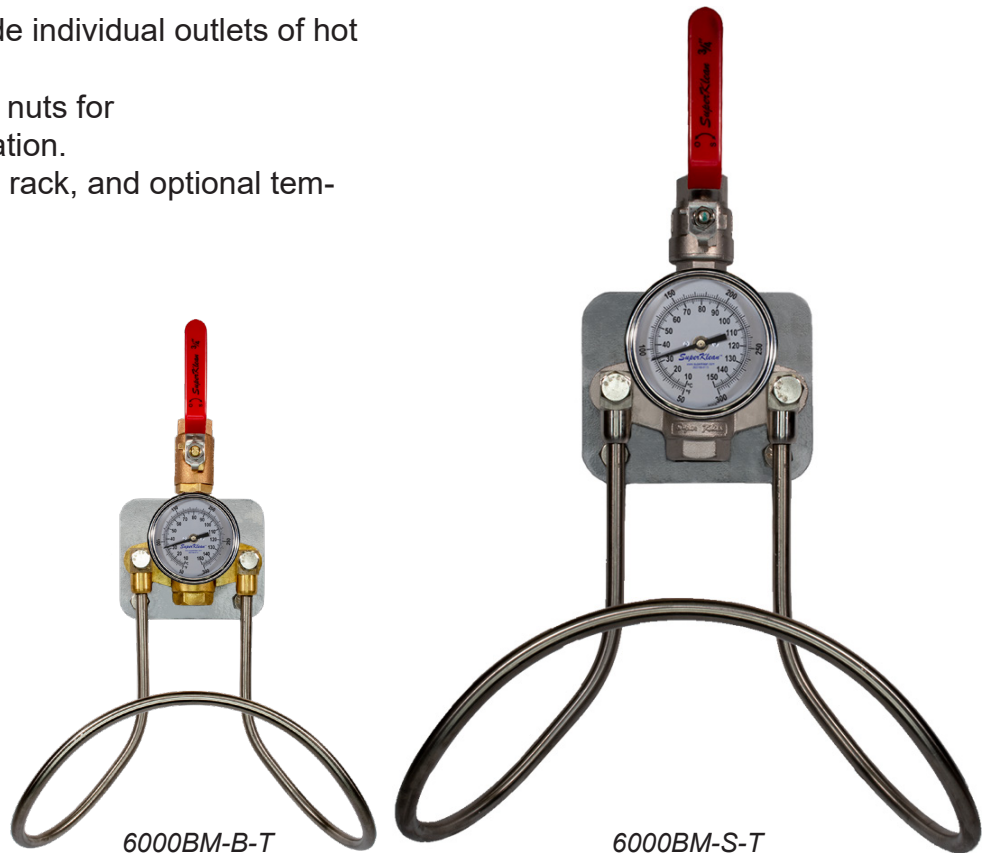


SuperKlean

Environmentally Exceptional Washdown Products

6000BM Series Hot or Cold Water Station (6000BM-B, 6000BM-B-T, 6000BM-S, 6000BM-S-T)

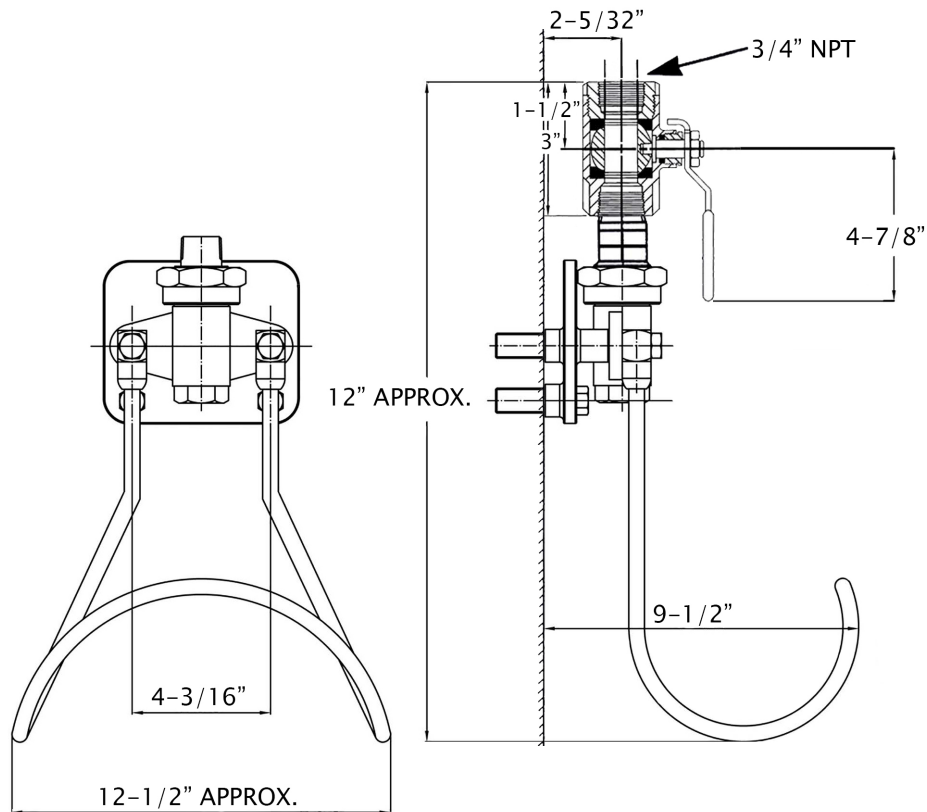
- Designed specifically to provide individual outlets of hot or cold water.
- Designed with two connection nuts for superior flexibility during installation.
- Includes mounting plate, hose rack, and optional temperature gauge.



	6000BM-B, 6000BM-B-T	6000BM-S, 6000BM-S-T
Inlet/Outlet Diameter:	3/4" NPT	3/4" NPT
Ball Valves:	Bronze	304 Stainless Steel
Mixer Body:	Brass	304 Stainless Steel
Hose Rack: 304 Stainless Steel	304 Stainless Steel	304 Stainless Steel
Temperature Gauge (Optional):	Stainless Steel	Stainless Steel
Weight:	10 lbs, 11 lbs	10 lbs, 11 lbs
Recommended Operative Conditions		
Maximum Temperature:	200 °F (93 °C)	200 °F (93 °C)
Maximum Pressure:	150 PSI	150 PSI

SuperKlean™

Environmentally Exceptional Washdown Products



Part #	Description
BALL VALVE-BALL SEAT	3/4" ball valve ball seat. Pair. Teflon
BALL VALVE-LEV-BLUE	3/4" Ball valve lever. Stainless steel. Blue
BALL VALVE-LEV-RED	3/4" Ball valve lever. Stainless steel. Red
BALL VALVE-BLUE	3/4" ball valve, bronze (600 PSIG WOG-150 PSIG Saturated Steam)
BALL VALVE-RED	3/4" ball valve, bronze (600 PSIG WOG-150 PSIG Saturated Steam)
BALL VALVE-SS-BLUE	3/4" ball valve, stainless steel. Blue (600 PSIG WOG-150 PSIG Saturated Steam)
BALL VALVE-SS-RED	3/4" ball valve, stainless steel. Red (600 PSIG WOG-150 PSIG Saturated Steam)
BALL VALVE-NUT	3/4" ball valve nut. Stainless Steel
BALL-VALVE PACKING	3/4" ball valve stem packing. Teflon
GASKET-CN	Connection nut gasket (Teflon)