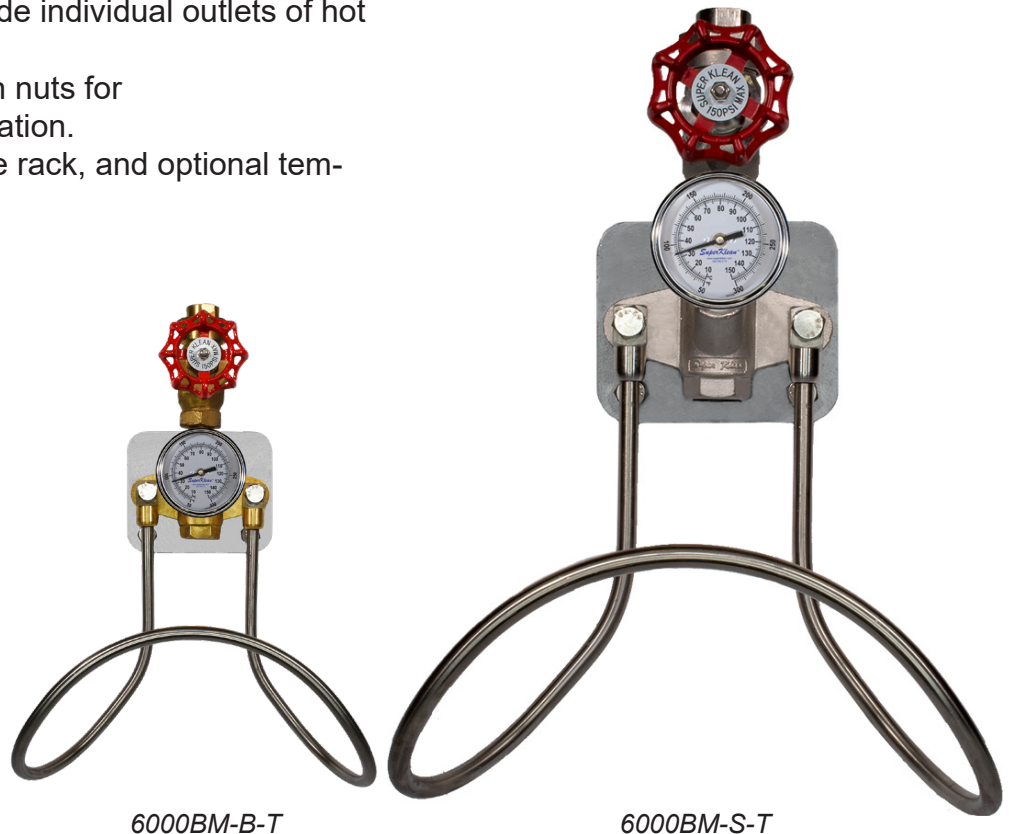


SuperKlean

Environmentally Exceptional Washdown Products

6000M Series Hot or Cold Water Station (6000M-B, 6000M-B-T, 6000M-S, 6000M-S-T)

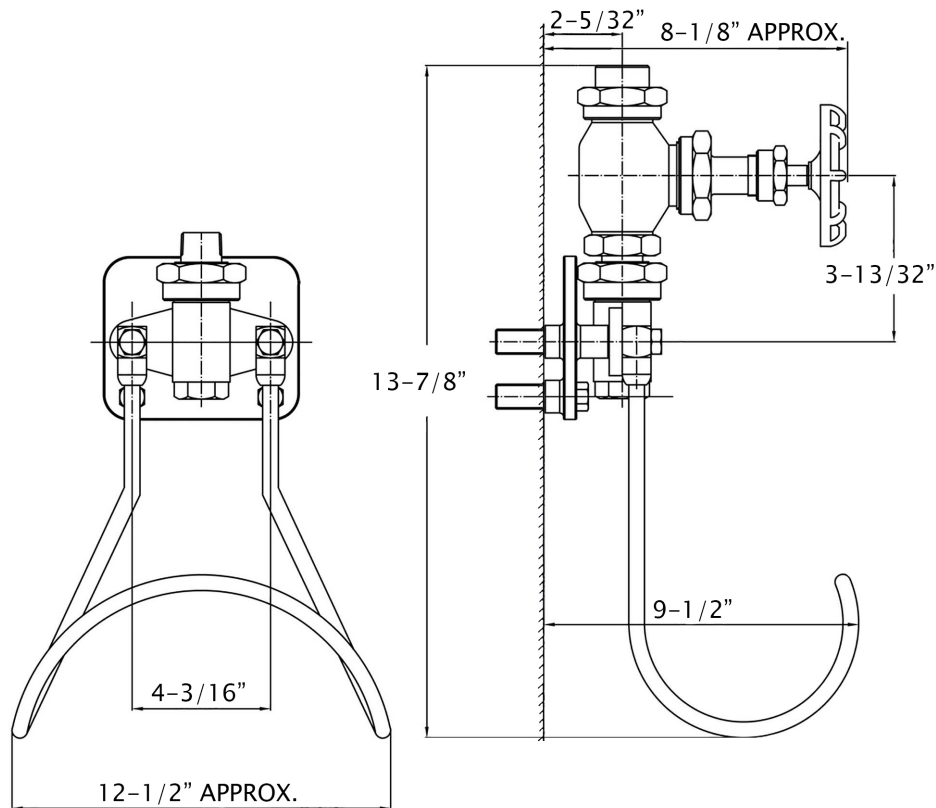
- Designed specifically to provide individual outlets of hot or cold water.
- Designed with two connection nuts for superior flexibility during installation.
- Includes mounting plate, hose rack, and optional temperature gauge.



	6000M-B, 6000M-B-T	6000M-S, 6000M-S-T
Inlet/Outlet Diameter:	3/4" NPT	3/4" NPT
Globe Valves:	Brass & Stainless Steel	304 Stainless Steel
Mixer Body:	Brass	304 Stainless Steel
Hose Rack: 304 Stainless Steel	304 Stainless Steel	304 Stainless Steel
Temperature Gauge (Optional):	Stainless Steel	Stainless Steel
Weight:	13 lbs, 14 lbs	13 lbs, 14 lbs
Recommended Operative Conditions		
Maximum Temperature:	200 °F (93 °C)	200 °F (93 °C)
Maximum Pressure:	150 PSI	150 PSI

SuperKlean™

Environmentally Exceptional Washdown Products



Part #	Description
GVCP-8	Globe valve stem packing (Teflon)
GVCP-9	Globe valve stem nut gasket (Teflon)
GVCP-10	Globe valve poppet (Teflon Seal)
HAND WHEEL-(BLUE)	Globe valve hand wheel (Blue)
HAND WHEEL-(RED)	Globe valve hand wheel (Red)
GASKET-CN	Connection nut gasket (Teflon)
GV-3600-BLUE	Globe valve for hot and cold water mixing unit. Brass. Cold water side.
GV-3600-RED	Globe valve for hot and cold water mixing unit. Brass. Hold water side.
GV-3600-SS-BLUE	Globe valve for hot and cold water mixing unit. Stainless Steel. Cold water side.
GV-3600-SS-RED	Globe valve for hot and cold water mixing unit. Stainless. Hold water side.