

**PENTAIR  
HYGIENIC PROCESS VALVES  
(FORMERLY KEYSTONE)**

# F267J+ / F268J+ INSTALLATION AND OPERATING INSTRUCTIONS

## PENTAIR HYGIENIC PROCESS VALVES (Formerly Keystone)

# F267J+ / F268J+ HYGIENIC SINGLE SEAT VALVES

### Installation and operation instructions for DN 25 (1") - DN 100 (4") F267J+ and F268J+ single seal valves with F272S reversible actuator.

#### TRANSPORT AND STORAGE

The valve has been fully wrapped in plastic. This prevents dust and dirt entering the valve interior. Re-wrap the interior components when the valve is unpacked for installation of the body into the pipe work, to avoid unwanted contamination and damage.

#### INSTALLATION

##### Orientation of valve

When installing valves into piping systems they must be orientated so the media is free draining. Free draining refers to the media, e.g. liquid, freely draining under gravity when in discharge mode. This means that both vertical and horizontal installation is possible if the free draining principal is adhered to.

##### Installation into pipework

The valve can be welded in the pipe work directly.

Important: To avoid seal damage remove the valve internal parts, together with all O-rings and seals, before welding. Use qualified welding personal to the end users specifications if required.

##### Operating space

For switching of the valve a free space is required above the actuator of at least 50 mm. If a control head is fitted, the following minimum distances above is required to remove the control head/ cap:

F783: 60mm

F784: 110mm

##### Mounting space

To allow easy valve assembly and disassembly, a free space is required above the actuator of at least 3 x the largest pipe diameter.

#### SAFETY PRECAUTIONS



##### Caution!

This symbol indicates important messages and safety instructions.

For safety reasons, it is important to take the following precautions before working on the valve.

1. Before attempting to remove the valve from service, ensure all pipelines connected to the valve are depressurised and evacuated of all compressed air, liquids or process media. LOCKOUT procedures must be in place to prevent lines becoming charged with process or cleaning fluids during maintenance.
2. Keep fingers clear of moving parts at all times when operating the actuator. When handling the actuator, never place any part of the body between the plug sealing faces and the valve seats while the actuator is charged with air.
3. The F272S actuators are seal welded and contain a spring under compression. DO NOT attempt to dismantle this sealed unit, as the spring could cause serious harm.
4. Before disassembly of spring-to-close valves, compressed air must be used to move the valve to the open position. Failure to do this will result in the actuator/plug assembly leaping out of the valve body when the upper clamp is removed, possibly causing injury.

# PENTAIR HYGIENIC SINGLE SEAT VALVES

## F250 / F251 INSTALLATION AND OPERATING INSTRUCTIONS

### OPERATION

#### Operation with air:

The valve is provided with air connections with 1/8" BSP female thread. Air connections that are not in use must be fitted with bleeding nipples.

Apply air to:-

**PI:** Close valve F267J+ or Change mode F268J+ (for spring retract configured or double acting valves).

**PII:** Open valve F267J+ or Change mode F268J+ (for spring extend configured or double acting valves).

#### Control unit

The DN 25 (1.5" ) to DN 100 (4") valves can be supplied with the Pentair AVID F783E or F784 control head, that mounts directly to the top of the actuator and incorporates position switches, pneumatic solenoids, local position indication LED's, and a choice of controller interfaces to suit most popular control systems, all in a single IP67 enclosure.

#### Position indication (option)

Standard 18mm barrel type proximity sensors can be mounted using a bracket fitted within the sight-housing, and the target can be fitted to the plug shaft. Kits are available for specific valves/actuator sizes upon request.

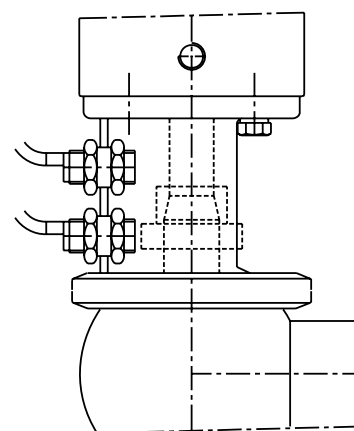
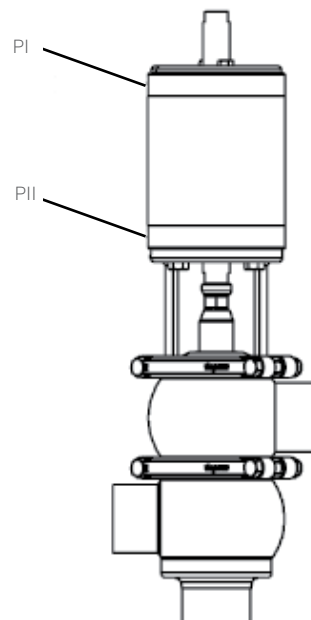
**NOTE:** This solution is suitable for sizes DN 25 (1.5" ) to DN 100 (4" ) only.

#### Cleaning

The valve is suitable for CIP (Clean In Place) cleaning. The valve material is resistant to detergents that are commonly used in the food industry, at a temperature of about 80°C. After cleaning the system should be rinsed with clean water to help inhibit corrosion from any chemi-cal residues.

#### Service intervals

Sealing and wearing parts of the valve should be checked once a year. For special applications (such as highly viscous or crystallizing liquids) the service interval should be adjusted based on individual experi-ence with these products.



Position indication (option)



**PENTAIR FLOW CONTROL PACIFIC PTY LTD**

12-14 KAIMIRO STREET, PUKETE INDUSTRIAL ESTATE, HAMILTON, 3200, NEW ZEALAND [PACIFICNZHYGIENICSALES@PENTAIR.COM](mailto:PACIFICNZHYGIENICSALES@PENTAIR.COM) [WWW.PENTAIR.COM](http://WWW.PENTAIR.COM)

All Pentair trademarks and logos are owned by Pentair. All other brand or product names are trademarks or registered marks of their respective owners.

Because we are continuously improving our products and services, Pentair reserves the right to change specifications without prior notice. Pentair is an equal opportunity employer.

VCOSI 03005 E-14/16 © 2016 Pentair - All Rights Reserved.